



SN-D1305EE-AZ5

5MP Hybrid Motorized Analogue Dome



Key Features

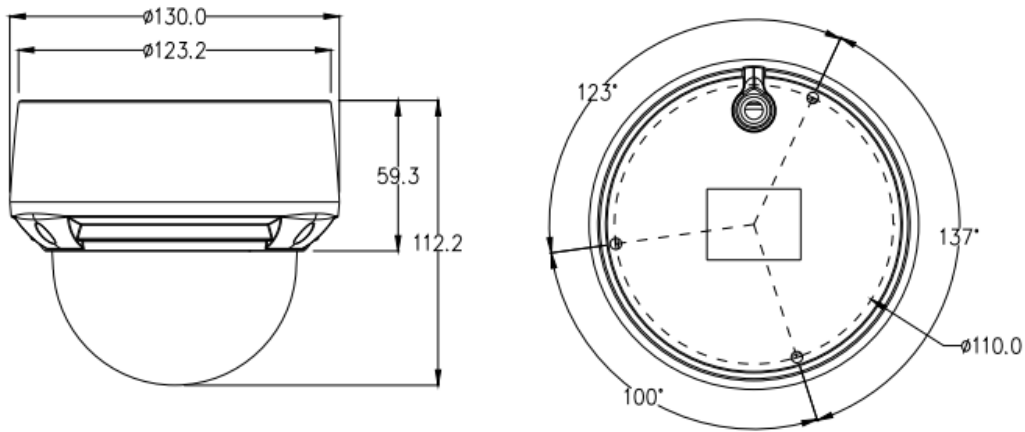
- 1/2.8" Progressive Scan CMOS
- 2.7-13.5mm motorized lens
- Max 20fps@5MP
- Video Transmission 300m
- IR Range up to 40m
- 2D DNR, dWDR, ICR, BLC, Mirror, ATW
- Support AHD/TVI/CVI/CVBS Output
- IP66, IK10

Specification

Camera	
Image Sensor	1/2.8" Progressive Scan CMOS
Effective Pixels	2560(H) x 1920(V)
Scanning System	Progressive
Electronic Shutter	Auto, PAL: 1/25-1/10000s, NTSC: 1/30-1/10000s
Min. illumination	Color: 0.05Lux@(F1.2,AGC ON) ; B/W: 0Lux@(IR LED ON)
S/N Ratio	More than 50dB
IR Range	up to 30m
IR On/Off Control	Auto/Manual
IR LEDs	30pcs
OSD Joystick	Support
Up the Coax	Support
Pan/Tilt/Rotation Range	Pan:0°~355°, Tilt:0°~80°, Rotation:0°~355°
Lens	
Lens Type	Motorized
Iris	Fixed Iris
Focal Length	2.8-12mm
F Number	F1.6
Angle of View	H: 100.8°~32°, V: 74°~24.5°
Focus Control	Motorized
Close Focus Distance	0.2m
Video	
Resolution	5MP (2560x1920)
Frame Rate	20fps
Video Output	AHD/TVI: 5MP 20fps/12.5fps, 4MP 25fps/30fps/15fsp CVI: 25fps/30fps CVBS: PAL/NTSC
Day/Night	Ext / AUTO / Color / B/W
OSD Menu	Support

Wide Dynamic Range	dWDR, OFF/ON
Gain Control	Auto
Noise Reduction	2D DNR, MANUAL(1-10)
White Balance	Auto
BLC	Support
Mirror	Support
Motion Detection	N/A
Privacy Masking	N/A
General	
Power Supply	DC12V±10%
Power Consumption	Max. 4.5W (12V DC, IR ON)
Operating Temperature	-10 °C ~ 55 °C (14°F ~ 131 °F)
Operating Humidity	Less than 85% RH
Ingress Protection	IP66, IK10
Certifications	CE/FCC
Casing	Metal
Dimensions	Φ130x112mm
Net Weight	667g

Dimensions(mm)



Accessories

Optional:



SN-CBK648
Junction Box



SN-BK344
Wall Mount