



# SN-D1308EE-AZ3

8MP Hybrid Motorized Analogue Dome



## Key Features

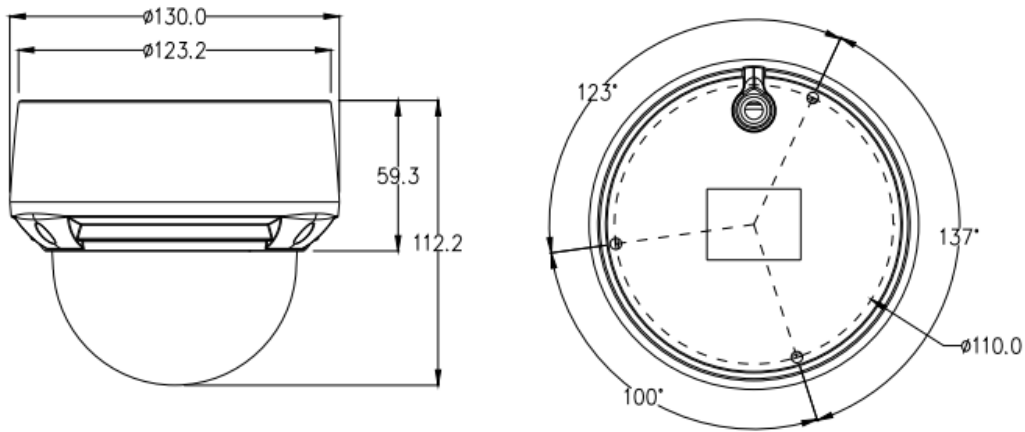
- 1/2" Progressive Scan CMOS
- 3.3-12mm motorized lens
- Max 15fps@8MP
- Video Transmission 300m
- IR Range up to 30m
- 3D DNR, WDR, ICR, BLC, GLOBAL, ATW
- Support AHD/TVI/CVI/CVBS Output
- IP66, IK10

# Specification

Camera	
Image Sensor	1/2" Progressive Scan CMOS
Effective Pixels	3840(H) x 2160(V)
Scanning System	Progressive
Electronic Shutter	Auto
Min. illumination	Color: 0.01Lux@(F1.2,AGC ON) ; B/W: 0Lux@(IR LED ON)
S/N Ratio	More than 50dB (AGC Closed)
IR Range	up to 30m
IR On/Off Control	Auto/Manual
IR LEDs	30pcs
OSD Joystick	Support
Up the Coax	Support
Pan/Tilt/Rotation Range	Pan:0°~355°, Tilt:0°~80°, Rotation:0°~355°
Lens	
Lens Type	Motorized
Iris	Fixed Iris
Focal Length	3.3-12mm
F Number	F1.6
Angle of View	94°~43°
Focus Control	Motorized
Close Focus Distance	0.2m
Video	
Resolution	8MP (3840x2160)
Frame Rate	15fps
Video Output	Support AHD/TVI/CVI/CVBS Output
Day/Night	Auto / Color / MONO / Ext
OSD Menu	Support

Wide Dynamic Range	WDR
Gain Control	Auto
Noise Reduction	3D DNR, AUTO/MANUAL(0-10)
White Balance	Auto/Manual
BLC	Support
Mirror	N/A
Motion Detection	N/A
Privacy Masking	N/A
General	
Power Supply	DC12V±10%
Power Consumption	Max. 4.5W (12V DC, IR ON)
Operating Temperature	-10 °C ~ 55 °C (14°F ~ 131 °F)
Operating Humidity	Less than 85% RH
Ingress Protection	IP66, IK10
Certifications	CE/FCC
Casing	Metal
Dimensions	Φ130×112mm
Net Weight	667g

## Dimensions(mm)



## Accessories

Optional:



SN-CBK648  
Junction Box



SN-BK344  
Wall Mount