

Datasheet

6-port Full Gigabit Industrial Ethernet Switch

SUN-IPS33064F



SUN-IPS33064F è uno switch industriale full gigabit in fibra Ethernet. Dispone di 4* porte RJ45 10/100/1000M e 2* porte SFP 1000M in fibra. Ogni porta può supportare l'inoltro a piena velocità di linea.

Lo switch ha un livello di protezione fino a IP40, il supporto per la doppia alimentazione ridondante, un basso consumo energetico, un tempo medio di lavoro senza problemi.

■ **Full gigabit Ethernet port**

- ◇ Support non-blocking wire-speed forwarding.
- ◇ Support full-duplex based on IEEE802.3x and half-duplex based on Backpressure.
- ◇ Support Gigabit Ethernet port and Gigabit SFP port to meet the networking requirements of various scenarios.

■ **Stable and reliable**

- ◇ CCC,CE, FCC, RoHS.
- ◇ Low power consumption, no fan, aluminum shell.
- ◇ The user-friendly panel can show the device status through the LED indicator of PWR, Link.

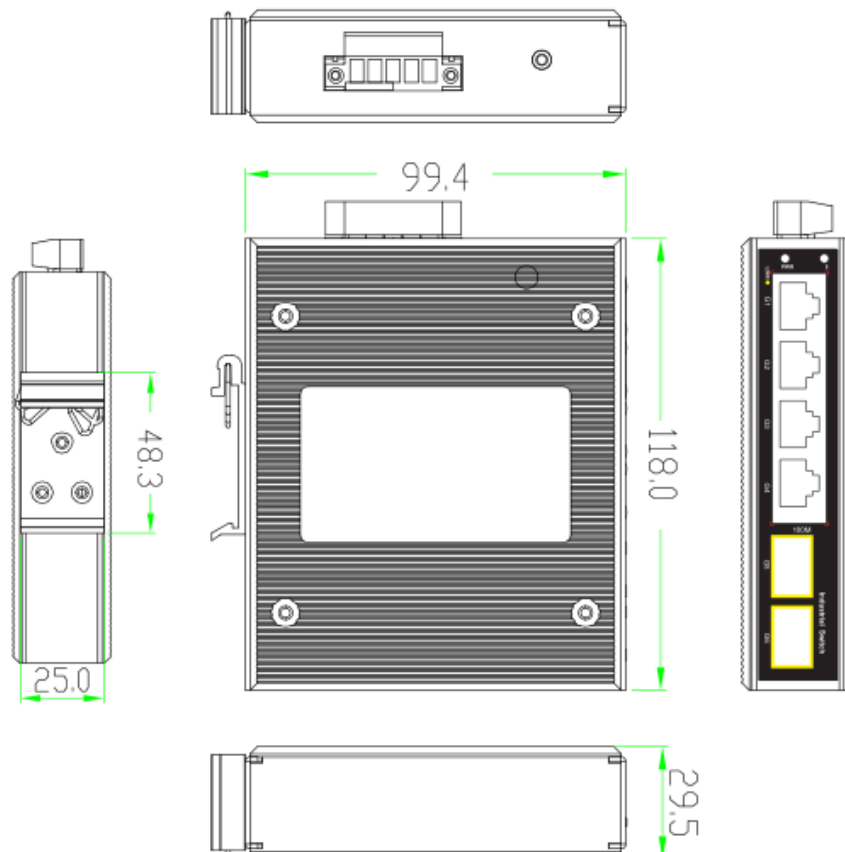
TECHNICAL SPECIFICATION

Model	SUN-IPS33064F
Interface Characteristics	
Fixed Port	4*10/100/1000Base-T RJ45 ports (Data) 2*1000Base-X uplink SFP fiber slot ports(Data) 2 groups V+, V- redundant DC power interface (5P phoenix terminal)
Ethernet Port	Port 1-4 support 10/100/1000Base-T auto-sensing, full/half duplex MDI/MDI-X self-adaption
Twisted Pair Transmission	10BASE-T: Cat3,4,5 UTP(≤100 meters) 100BASE-TX: Cat5 or later UTP(≤100 meters) 1000BASE-T: Cat5e or later UTP(≤100 meters)
SC Slot Port	Gigabit SFP optical fiber interface, default no include optical modules (optional order single-mode / multi-mode, single fiber / dual fiber optical module. LC)
Optical Cable/ Distance	Multi mode: 850nm/ 0-550M, Single-mode: 1310nm/ 0-40KM, 1550nm/ 0-120KM.
Chip Parameter	

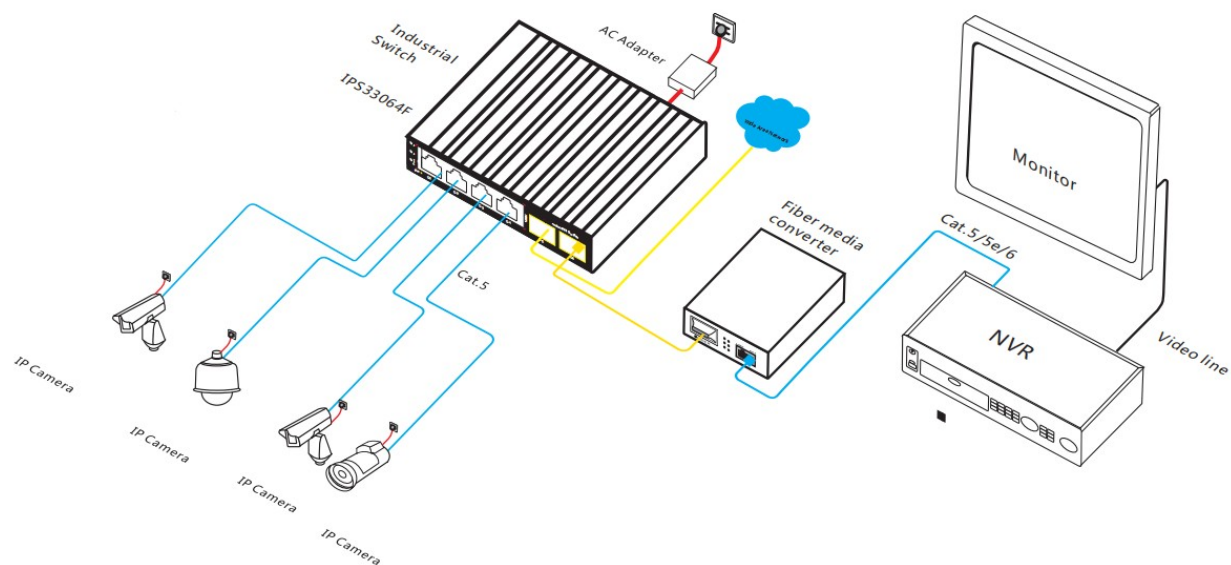
Network Protocol	IEEE802.3 10BASE-T, IEEE802.3i 10Base-T, IEEE802.3u 100Base-TX IEEE802.3ab 1000Base-TX, IEEE802.3z 1000Base-X, IEEE802.3x
Forwarding Mode	Store and Forward(Full Wire Speed)
Switching Capacity	12Gbps
Forwarding Rate@64byte	8.93Mpps
MAC	8K
Buffer Memory	2M
Jumbo Frame	9.2K
LED Indicator	Power:PWR (Green), Network: Link, Link/Act (Yellow)
Power	
Power Consumption	Standby<5W, Full load<8W
Power Supply	No, optional 24V/24W industrial power supply
Working Voltage	DC12-48V, 5P industrial Phoenix terminal, support anti-reverse protection.
Physical Parameter	
Operation TEMP / Humidity	-40~+80°C, 5%~90% RH Non condensing
Storage TEMP / Humidity	-40~+85°C, 5%~95% RH Non condensing
Dimension (L*W*H)	119*100*30mm
Net /Gross Weight	<0.7kg / <1.0kg
Installation	Desktop, DIN rail
Certification & Warranty	
Lightning Protection	Lightning protection: 6KV 8/20us, Protection level: IP40 IEC61000-4-2(ESD):±8kV contact discharge,±15kV air discharge IEC61000-4-3(RS):10V/m(80~1000MHz) IEC61000-4-4(EFT): power cable:±4kV; data cable:±2kV IEC61000-4-5(Surge):power cable:CM±4kV/DM±2kV; data cable:±4kV IEC61000-4-6(radio frequency transmission):10V(150kHz~80MHz)

	<p>IEC61000-4-8(power frequency magnetic field):100A/m;1000A/m ,1s to 3s</p> <p>IEC61000-4-9(pulsed magnet field):1000A/m</p> <p>IEC61000-4-10(damped oscillation):30A/m 1MHz</p> <p>IEC61000-4-12/18(shockwave):CM 2.5kV,DM 1kV</p> <p>IEC61000-4-16(common-mode transmission):30V; 300V,1s</p> <p>FCC Part 15/CISPR22(EN55022):Class A</p> <p>IEC61000-6-2(Common Industrial Standard)</p>
Mechanical Properties	<p>IEC60068-2-6 (anti vibration)</p> <p>IEC60068-2-27 (anti shock)</p> <p>IEC60068-2-32 (free fall)</p>
Certification	<p>CCC, CE mark, commercial, CE/LVD EN62368-1, FCC Part 15 Class B, RoHS</p>

DIMENSION



APPLICATION



ORDERING INFORMATION

Model	Description	Recommended Power Supply
SUN-IPS33064F	Unmanaged industrial Ethernet fiber switch with 2*1000M SFP fiber slot ports and 4*10/100/1000M RJ45 ports. It can support DC redundant power supply input and DIN rail mounting.	24W

Note: The SFP optical module is not included by default and needs to be purchased separately.

OPTICAL MODULE

Product	Model	Description	Unit
1.25G Optical Module	SUN-2630-G	Industrial SFP optical module, 1.25G, multi-mode dual fiber 850nm, transmission distance: 550m, LC interface, support DDM function, support hot plug and pull.	PC
	SUN-2632-G	Industrial SFP optical module, 1.25G, single-mode dual fiber 1310nm, transmission distance: 20km, LC interface, support DDM function, support hot plug and pull.	PC
	SUN-2612-T-G	Industrial SFP optical module, 1.25G, single-mode single fiber TX1310nm/RX1550nm, transmission distance: 20km, LC interface, support DDM function, support hot plug and pull.	PC
	SUN-2613-R-G	Industrial SFP optical module, 1.25G, single-mode single fiber TX1550nm/RX1310nm, transmission distance: 20km, LC interface, support DDM function, support hot plug and pull.	PC
	SUN-2612-T-G-SC	Industrial SFP optical module, 1.25G, single-mode single fiber TX1310nm/RX1550nm, transmission distance: 20km, SC interface, support DDM function, support hot plug and pull.	PC
	SUN-2613-R-G-SC	Industrial SFP optical module, 1.25G, single-mode single fiber TX1550nm/RX1310nm, transmission distance: 20km, SC interface, support DDM function, support hot plug and pull.	PC

POWER SUPPLY

Product	Model	Description	Unit
24W DIN Rail Industrial Power Supply	SUN- DP24-24	Din Rail 24W single set of output power supply Input Voltage: AC 100V~240V 50-60Hz, 0.35A Output Voltage: DC 24V 1.0A Operation Temperature:-40°C to +70°C	PC

RELATED PRODUCT

Model	Description
SUN-IPS33021F	Unmanaged industrial Ethernet fiber switch with 1*10/100/1000M RJ45 port and 1*1000M SFP slot port. It can support dual DC redundant power input and DIN rail mounting.
SUN-IPS33032F	Unmanaged industrial Ethernet fiber switch with 2*10/100/1000M RJ45 ports and 1*1000M SFP slot port. It can support dual DC redundant power input and DIN rail mounting.
SUN-IPS33042F	Unmanaged industrial Ethernet fiber switch with 2*10/100/1000M RJ45 ports and 2*1000M SFP slot ports. It can support dual DC redundant power input and DIN rail mounting.
SUN-IPS33064	Unmanaged industrial Ethernet switch with 6*10/100/1000M RJ45 ports. It can support dual DC redundant power input and DIN rail mounting.
SUN-IPS33108	Unmanaged industrial Ethernet switch with 10*10/100/1000M RJ45 ports. It can support dual DC redundant power input and DIN rail mounting.
SUN-IPS33108F	Unmanaged industrial Ethernet fiber switch with 8*10/100/1000M RJ45 ports and 2*1000M SFP slot ports. It can support dual DC redundant power input and DIN rail mounting.
SUN-IPS33128F	Unmanaged industrial Ethernet fiber switch with 10*10/100/1000M RJ45 ports and 2*1000M SFP slot ports. It can support dual DC redundant power input and DIN rail mounting.

SUNELL ITALIA STARK SOLUTION

Via 3° Strada n°36 Zona Industriale 95121 Catania (CT)

info@sunellitalia.net