

Datasheet

6-port Full Gigabit Industrial bt PoE Fiber Switch

SUN-IPS33064PF-bt



SUN-IPS33064PF-bt è uno switch industriale bt PoE in fibra full gigabit non gestito. Dispone di 4 porte RJ45 adattive 10/100/1000M e 2 porte SFP uplink 1000M in fibra. Le porte 1-4 supportano lo standard PoE IEEE 802.3 af/at/bt e la potenza di uscita PoE a porta singola è di 90W. Fornisce un'alimentazione stabile e sicura per le telecamere di rete, le telecamere PTZ, gli AP wireless ad alta potenza.

■ Full gigabit access

- ◇ Support non-blocking wire-speed forwarding.
- ◇ Support full-duplex based on IEEE802.3x and half-duplex based on Backpressure.
- ◇ gigabit RJ45 ports and SFP fiber ports combination, high-speed high-bandwidth connection, to meet the networking needs of various scenarios.

■ Smart PoE power supply

- ◇ 4*10/100/1000Base-T RJ45 ports can support bt PoE power supply, meeting the demand for

super high power PoE power supply in various scenarios.

- ◇ Priority system for PoE port will supply power to the high priority level port first when the power budget is insufficient and avoid overwork of the device.
- ◇ The max single-port output power PoE is 90W backward compatibility IEEE802.3 af/at PoE power supply standard automatically identifies PoE devices for power supply without damaging non-PoE devices.

■ **Stable and reliable**

- ◇ CCC, CE, FCC, RoHS.
- ◇ The user-friendly panel can show the device status through the LED indicator of PWR, Link, and PoE.
- ◇ Low power consumption, no fan, aluminum shell, and excellent heat dissipation to ensure the stable operation of the switch.

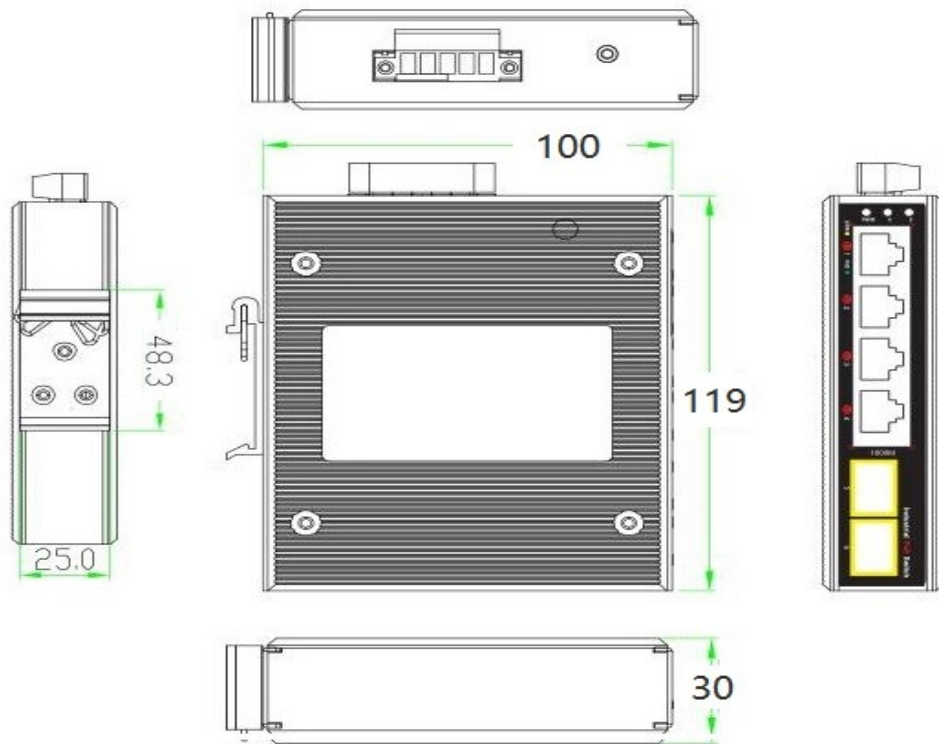
TECHNICAL SPECIFICATION

Model	SUN-IPS33064PF-bt
Interface Characteristics	
Fixed Port	2*1000Base-X uplink SFP fiber ports(Data) 4*10/100/1000Base-T bt PoE ports (Data/Power) 2 set of V+, V- redundant DC power interface (5P Phoenix terminal)
Ethernet Port	Port 1-4 support 10/100/1000Base-T auto-sensing, full/ half duplex MDI/ MDI-X self-adaption
Twisted Pair Transmission	10BASE-T: Cat3,4,5 UTP (≤100 meters) 100BASE-TX: Cat5 or later UTP (≤100 meters) 1000BASE-T: Cat5e or later UTP (≤100 meters)
SFP Slot Port	Gigabit optical fiber port, default no include optical module (optional single-mode/ multi-mode, single fiber/ dual fiber optical module. LC)
Optical Cable/ Distance	Multi-mode: 850nm/ 0-550m Single-mode: 1310nm/ 0-40km, 1550nm/ 0-120km
Chip Parameter	

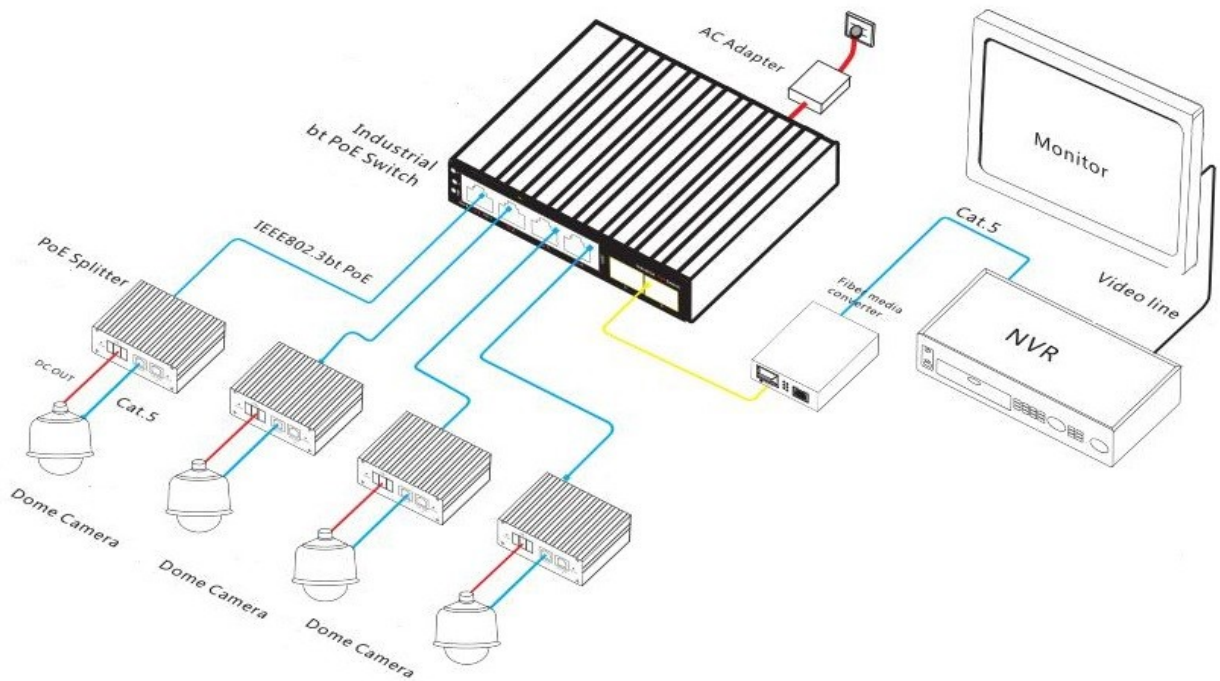
Network Protocol	IEEE802.3 10BASE-T, IEEE802.3i 10Base-T, IEEE802.3u 100Base-TX IEEE802.3u 1000Base-T, IEEE802.3z 1000Base-X, IEEE802.3x
Forwarding Mode	Store and Forward (Full Wire Speed)
Switching Capacity	12Gbps (Non-blocking)
Forwarding Rate@64byte	8.93Mpps
MAC	2K
Buffer Memory	2M
Jumbo Frame	9.2K
LED Indicator	Power: PWR (Green), Network: Link (Yellow), PoE: PoE (Green)
PoE & Power Supply	
PoE Port	Port 1-4
Power Supply Pin	1/2(+) 3/6(-) 4/5(+) 7/8(-)
Max Power Per Port	90W, IEEE 802.3 af/at/bt
Power Consumption	Standby<6W, Full Load af<60W, at<120W, bt<240W
Input Voltage / Interface	DC48-57V, 5P industrial phoenix terminal, anti-reverse protection
Power Supply	No, optional 48V/120W or 48V/240W or 48V/480W industrial power supply
Physical Parameter	
Operation TEMP / Humidity	-20~+80°C, 5%~90% RH Non condensing
Storage TEMP / Humidity	-40~+85°C, 5%~95% RH Non condensing
Dimension (L*W*H)	119*100*30mm
Net /Gross Weight	0.4kg /0.5kg
Installation	Desktop, 35mm DIN Rail
Certification & Warranty	
Lightning Protection	Protection level: IP40

	<p>Lightning protection: 6KV 8/20us</p> <p>IEC61000-4-3 (RS):10V/m (80-1000MHz)</p> <p>FCC Part 15/CISPR22 (EN55022): Class B</p> <p>IEC61000-6-2 (Common Industrial Standard)</p> <p>IEC61000-4-9 (Pulsed magnet field): 1000A/m</p> <p>IEC61000-4-10 (Damped oscillation): 30A/m 1MHz</p> <p>IEC61000-4-12/18 (Shockwave): CM2.5kV, DM1kV</p> <p>IEC61000-4-4(EFT): Power cable: ±4kV, data cable: ±2kV</p> <p>IEC61000-4-16 (Common-mode transmission): 30V, 300V, 1s</p> <p>IEC61000-4-2 (ESD): ±8kV contact discharge, ±15kV air discharge</p> <p>IEC61000-4-6 (Radio frequency transmission): 10V(150kHz~80MHz)</p> <p>IEC61000-4-8 (Power frequency magnetic field): 100A/m, 1000A/m, 1s-3s</p> <p>IEC61000-4-5 (Surge): Power cable: CM±4kV/ DM±2kV, data cable: ±4kV</p>
Mechanical Properties	IEC60068-2-6 (Anti Vibration), IEC60068-2-27 (Anti Shock), IEC60068-2-32 (Free Fall)
Certification	CCC, CE mark, commercial, CE/LVD EN62368-1, FCC Part 15 Class B, RoHS

DIMENSION



APPLICATION



ORDERING INFORMATION

Model	Description	Recommended Power Supply
SUN-IPS33064PF-bt	Unmanaged industrial bt PoE fiber switch with 4*10/100/1000M RJ45 ports and 2*1000M uplink SFP fiber ports. Port 1-4 can support IEEE 802.3 af/at/bt PoE standard. It can support dual DC power input and DIN rail mounting.	60W/120W/240W

Note: The optical module and power supply are not included and need to be purchased.

OPTICAL MODULE

Product	Model	Description	Unit
1.25G Optical Module	SUN-2630-G	Industrial SFP optical module, 1.25G multi-mode dual fiber 850nm, transmission distance: 550m, LC interface, supports DDM function and hot plugging.	PC
	SUN-2632-G	Industrial SFP optical module, 1.25G single-mode dual fiber 1310nm, transmission distance: 20km, LC interface, supports DDM function and hot plugging.	PC
	SUN-2612-T-G	Industrial SFP optical module, 1.25G single-mode single fiber TX1310nm/ RX1550nm, transmission distance: 20km, LC interface, supports DDM function and hot plugging.	PC
	SUN-2613-R-G	Industrial SFP optical module, 1.25G single-mode single fiber TX1550nm/ RX1310nm, transmission distance: 20km, LC interface, supports DDM function and hot plugging.	PC
	SUN-2612-T-SC-G	Industrial SFP optical module, 1.25G single-mode single fiber TX1310nm/ RX1550nm, transmission distance: 20km, SC interface, supports DDM function and hot plugging.	PC
	SUN-2613-R-SC-G	Industrial SFP optical module, 1.25G single-mode single fiber TX1550nm/ RX1310nm, transmission distance: 20km, SC interface, supports DDM function and hot plugging.	PC
Power Module	SUN-2633	1.25G SFP optical module transfers to 10/100/1000M RJ45 port.	PC

POWER SUPPLY

Product	Model	Description	Unit
60W DIN Rail Industrial Power Supply	SUN-DP60-48	DIN Rail 60W single set of output power supply Input Voltage: AC100V~240V 50-60Hz, 1.0A Output Voltage: DC48V, 1.25A Operation Temperature: -40°C to +70°C	PC
120W DIN Rail Industrial Power Supply	SUN-DP120-48	DIN Rail 120W single set of output power supply Input Voltage: AC100V~240V 50-60Hz, 2.3A Output Voltage: DC48V, 2.5A Operation Temperature: -40°C to +70°C	PC
240W DIN Rail Industrial Power Supply	SUN-DP240-48	DIN Rail 240W single set of output power supply Input Voltage: AC100V~240V 50-60Hz, 3.0A Output Voltage: DC48V, 5.0A Operation Temperature: -40°C to +70°C	PC

RELATED PRODUCT

Model	Description
SUN-IPS31064P-bt	Unmanaged industrial bt PoE fiber switch 6*10/100M RJ45 ports. Port 1-4 can support IEEE 802.3 af/at/bt PoE standard. It can support dual DC power input and DIN rail mounting.
SUN-IPS33064P-bt	Unmanaged industrial bt PoE switch with 6*10/100/1000M RJ45 ports. Port 1-4 can support IEEE 802.3 af/at/bt PoE standard. It can support dual DC power input and DIN rail mounting.
SUN-IPS33064PFG-bt	Unmanaged industrial bt PoE fiber switch with 5*10/100/1000M RJ45 ports and 1*1000M uplink SFP fiber port. Port 1-4 can support IEEE 802.3 af/at/bt PoE standard. It can support DC power input and DIN rail mounting.
SUN-IPS33064PFM-bt	L2+ managed industrial bt PoE fiber switch with 4*10/100/1000M RJ45 ports and 2*100/1000M uplink SFP fiber ports. Port 1- 4 can support

IEEE 802.3 af/at/bt PoE standard. It can support dual DC power input and DIN rail mounting.

SUNELL ITALIA STARK SOLUTION

Via 3° Strada n°36 Zona Industriale 95121 Catania (CT)

info@sunellitalia.net