



# SN-B1325BY-R-CB

5MP WDR Hybrid Analogue Bullet Camera



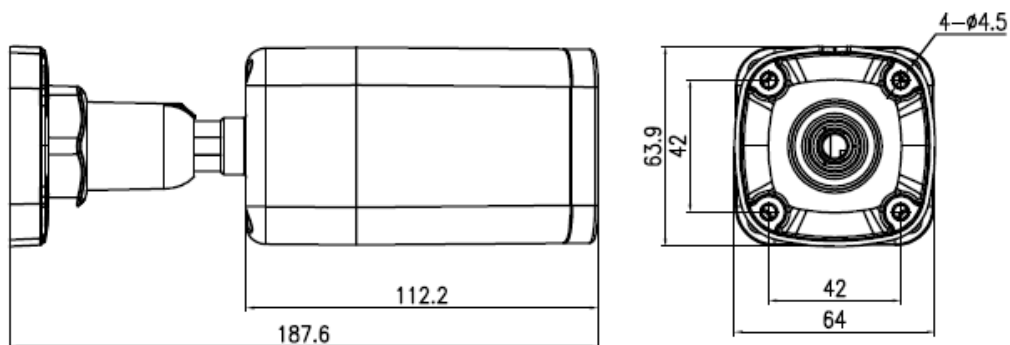
## Key Features

- 1/2.8" Progressive Scan CMOS
- 3.6mm Lens
- Max 20fps@5MP
- Video Transmission 300m
- IR Range up to 20m
- 3D DNR, WDR, ICR, BLC, ATW, Mirror
- Support AHD/TVI/CVI/CVBS Output
- IP67

## Specification

Camera	
Image Sensor	1/2.8" Progressive Scan CMOS
Signal System	PAL/NTSC
Electronic Shutter	Auto
Min. illumination	Color: 0.01 Lux @ (F1.2,AGC ON); B/W: 0 Lux @ (IR LED ON)
S/N Ratio	More than 48dB
IR Distance	up to 20m
IR LEDs	24pcs
OSD Joystick	Support
Up the Coax	Support
Pan/Tilt/Rotation Range	Pan:0°~360°; Tilt:0°~90°; Rotation:0°~360°
Lens	
Lens Type	Fixed focus
Iris	Fixed Iris
Focal Length	3.6mm
F Number	F2.0
Angle of View	H: 78.6°, V: 57.7°
Video	
Resolution	5MP (2560×1944)
Frame Rate	AHD/TVI: 5MP @ 20/12.5fps, 4MP @ 25/30/15fps, CVI: 4MP @ 25/30fps, CVBS: PAL/NTSC
Video Output	Support AHD/TVI/CVI/CVBS Output
Day/Night	AUTO / Color / B/W / Ext
OSD Menu	Support
Wide Dynamic Range	WDR, OFF/ON
Gain Control	Auto
Noise Reduction	2D/3D DNR, Auto/Manual
White Balance	Auto
BLC	Support
Mirror	Support
General	
Power Supply	DC12V ±10%
Power Consumption	Max. 4W (12V DC, IR ON)
Operating Temperature	-10 °C ~ 55 °C (14°F ~ 131 °F)
Operating Humidity	Less than 85% RH
Ingress Protection	IP67
Certifications	CE/FCC
Casing	Metal
Dimensions	187.6 × 64 × 64mm (7.39" × 2.52" × 2.52")
Net Weight	0.49 kg (1.08 lb)

## Dimensions(mm)



## Accessories

Optional:



SN-CBK656A  
Junction Box



SN-CBK627D  
Pole Mount