



# SN-B1328BY-R-CB

8MP Hybrid HD Analogue Bullet Camera



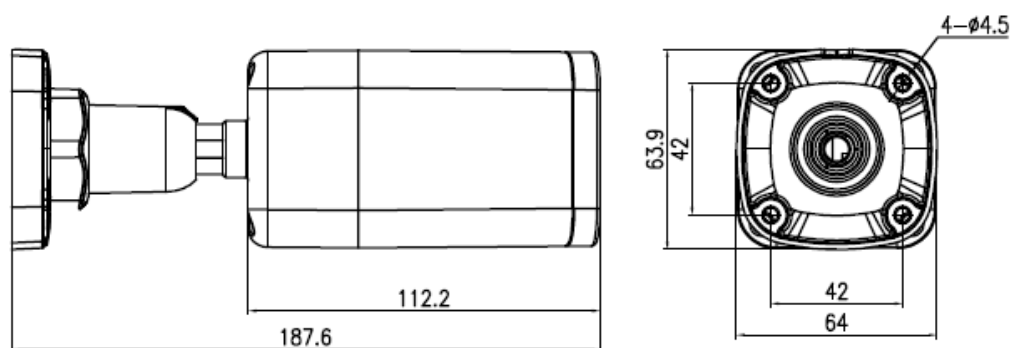
## Key Features

- 1/2.8" Progressive Scan CMOS
- 3.6mm fixed lens
- Max 15fps@8MP
- Video transmission 300m
- IR distance up to 20m
- 3D DNR, WDR, ICR, GLOBE, ATW
- Support AHD/TVI/CVI/CVBS Output
- IP67

## Specification

Camera	
Image Sensor	1/2.8" Progressive Scan CMOS
Signal System	PAL/NTSC
Min. illumination	Color: 0.01 Lux @ (F1.2, AGC ON), B/W: 0 Lux @ (IR LED ON)
S/N Ratio	More than 50dB
IR Distance	Up to 20 m
IR LEDs	24 pcs
OSD Joystick	Support
Up the Coax	Support
Pan/Tilt/Rotation Range	Pan: 0°~360°, Tilt: 0°~90°, Rotation: 0°~360°
Lens	
Lens Type	Fixed focus
Iris	Fixed Iris
Focal Length	3.6mm
F Number	F2.0
Angle of View	H: 84.4°, V: 45.5°
Video	
Resolution	8MP (3840×2160)
Frame Rate	15fps
Video Output	Support AHD/TVI/CVI/CVBS Output
Day/Night	ICR, AUTO/COLOR/MONO/ Ext
OSD Menu	Support
Wide Dynamic Range	OFF/ON
Gain Control	Auto
Noise Reduction	3D DNR, Auto/Manual (0-10)
White Balance	Auto
BLC	Support
General	
Power Supply	DC12V ±10%
Power Consumption	Max. 5W (12V DC, IR ON)
Operating Temperature	-10 °C ~ 55 °C (14°F ~ 131 °F)
Operating Humidity	Less than 85% RH
Ingress Protection	IP67
Certifications	CE/FCC
Casing	Metal
Dimensions	187.6 × 64 × 64mm (7.39" × 2.52" × 2.52")
Net Weight	0.5 kg (1.1 lb)

## Dimensions(mm)



## Accessories

Optional:



SN-CBK656A  
Junction Box



SN-CBK627D  
Pole Mount