



SN-E1318HZ-B-CB

8MP Full-color HD Analogue Turret Camera



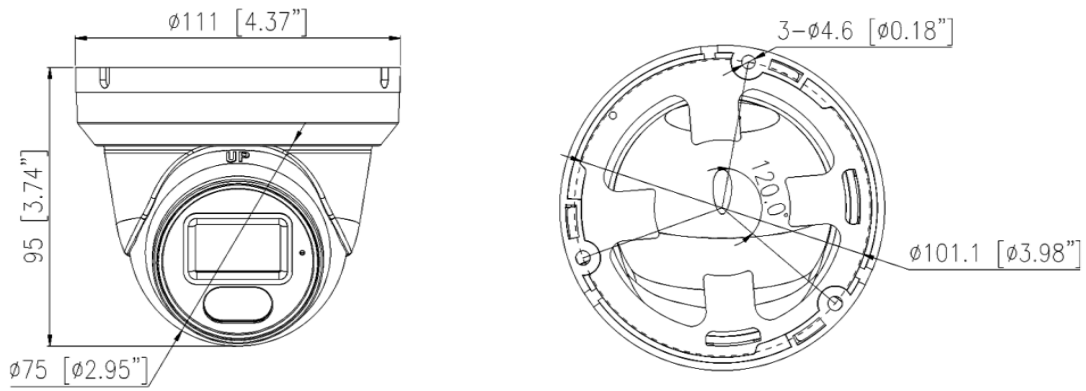
Key Features

- 1/3" Progressive Scan CMOS
- 3.6mm fixed lens, 2.8mm optional
- Max 15fps@8MP
- Video transmission 300m
- Illumination distance up to 20m
- 2D DNR, DWDR, ICR, BLC, GLOBAL, MIRROR
- Support TVI/ AHD/CVI/CVBS Output
- 11 languages
- IP66

Specification

Image Sensor	1/3" Progressive Scan CMOS
Signal System	PAL/NTSC
Electronic Shutter	Auto
Min. illumination	Color: 0.05Lux@(F1.2,AGC ON) ; B/W: 0Lux with illumination on
S/N Ratio	More than 48dB
Illumination Distance	up to 20m
Illumination On/Off Control	Auto/Manual
LEDs	2pcs white lights
OSD Joystick	Support
Up the Coax	Support
Pan/Tilt/Rotation Range	Pan:0°~360°; Tilt:0°~85°; Rotation:0°~360°
Audio	Built-in Microphone (TVI)
Language	ENGLISH, 中文, ESPANOL, FRANCAIS, 繁体中文, PYCCKNN, ITALIANO, JAPANESE, KOREAN, POLSKI, PROTUGUES
Lens	
Lens Type	Fixed
Iris	Fixed Iris
Focal Length	3.6mm, 2.8mm optional
F Number	F1.0
Angle of View	3.6mm H: 76.8°, V: 41.5° 2.8mm H: 93.48°, V: 49.14°
Video	
Resolution	8MP (3840×2160)
Frame Rate	TVI/AHD/CVI: 8MP 15fps/12.5fps, AHD/TVI: 5MP 20fps/12.5fps, 4MP 25fps/30fps/15fps, 1080P 25fps/30fps CVI: 4MP 25fps/30fps CVBS: PAL/NTSC
Video Output	Support TVI/AHD/CVI/CVBS output
OSD Menu	Support
Wide Dynamic Range	DWDR, OFF/ON
Gain Control	Auto
Noise Reduction	2D DNR, AUTO/MANUAL (0-10)
White Balance	Auto
BLC	Support
General	
Power Supply	DC12V±10%
Power Consumption	Max. 5W (12V DC, IR ON)
Operating Temperature	-10 °C ~ 55 °C (14°F ~ 131 °F)
Operating Humidity	Less than 85% RH
Ingress Protection	IP66
Certifications	CE/FCC
Casing	Metal
Dimensions	Φ111×95 mm (Φ4.37" × 3.74")
Net Weight	0.35 kg (0.77 lb)

Dimensions(mm)



Accessories

Optional:



Junction Box
SN-CBK646M



Pendant Cap
SN-CBK202A



Ceiling Mount
SN-CBK402



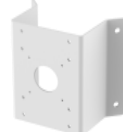
Wall Bracket
SN-CBK501



Wall Mount
SN-CBK502



Pole Mount
SN-CBK101



Corner Mount
SN-CBK102