



SN-E1325HZ-R-CB

5MP WDR Hybrid Analogue Turret Camera



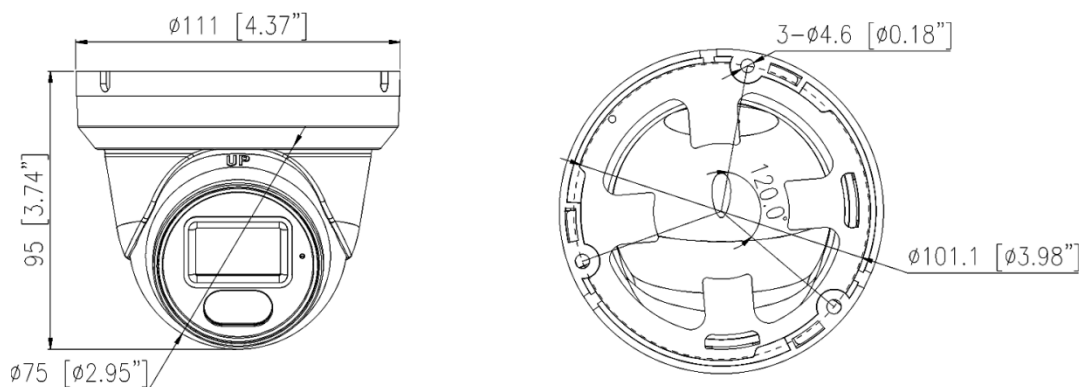
Key Features

- 1/2.8" Progressive Scan CMOS
- 3.6mm fixed lens
- Max 20fps@5MP
- Video Transmission 300m
- IR distance up to 20m
- 3D DNR, WDR, ICR, BLC, GLOBE, AWB
- Support AHD/TVI/CVI/CVBS Output
- IP66

Specification

Camera	
Image Sensor	1/2.8" Progressive Scan CMOS
Signal System	PAL/NTSC
Electronic Shutter	Auto
Min. illumination	Color: 0.01 Lux @ (F1.2,AGC ON); B/W: 0 Lux @ (IR LED ON)
S/N Ratio	More than 48dB
IR distance	up to 20m
IR LEDs	2pcs
OSD Joystick	Support
Up the Coax	Support
Pan/Tilt/Rotation Range	Pan:0°~360°; Tilt:0°~85°; Rotation:0°~360°
Lens	
Lens Type	Fixed Focus
Iris	Fixed Iris
Focal Length	3.6mm
F Number	F2.0
Angle of View	H: 78.6°, V: 57.7°
Video	
Resolution	5MP (2560x1944)
Frame Rate	AHD/TVI: 5MP @ 20/12.5fps, 4MP @ 25/30/15fps, CVI: 4MP @ 25/30fps, CVBS: PAL/NTSC
Video Output	Support AHD/TVI/CVI/CVBS Output
Day/Night	AUTO / Color / B/W / Ext
OSD Menu	Support
Wide Dynamic Range	WDR, OFF/ON
Gain Control	Auto
Noise Reduction	2D/3D DNR
White Balance	Auto
BLC	Support
Mirror	Support
General	
Power Supply	DC12V±10%
Power Consumption	Max. 4.5 W (12V DC, IR ON)
Operating Temperature	-10 °C ~ 55 °C (14°F ~ 131 °F)
Operating Humidity	Less than 85% RH
Ingress Protection	IP66
Certifications	CE/FCC
Casing	Metal + Plastic
Dimensions	Φ111 × 95 mm (Φ 4.37" × 3.74")
Net Weight	0.35 kg (0.77 lb)

Dimensions(mm)



Accessories

Optional:



Junction Box
SN-CBK646M



Pendant Cap
SN-CBK202A



Ceiling Mount
SN-CBK402



Wall Bracket
SN-CBK501



Wall Mount
SN-CBK502



Pole Mount
SN-CBK101



Corner Mount
SN-CBK102