



SN-D2L-F

Mini Bi-spectrum Radiometric Detector



Key Features

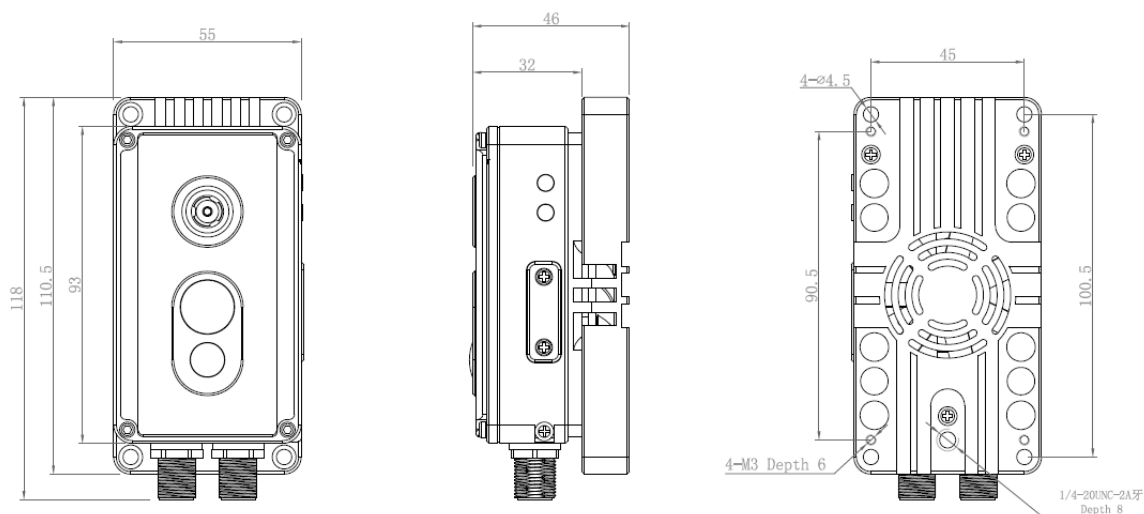
- Uncooled VOx Micro bolometer with 256×192 resolution
- Sensitivity $\leq 60\text{mK}$
- Support 3 temperature measurement rule types (Spot, Line, Area)
- Temperature range: $-20^{\circ}\text{C} \sim 150^{\circ}\text{C}$ ($-4^{\circ}\text{F} \sim 302^{\circ}\text{F}$)
- Temperature accuracy: $\pm 2^{\circ}\text{C}$, $\pm 2\%$
- Reliable temperature exception alarm function
- Up to 17 pseudo color modes
- 10-30V DC/PoE power supply

Specification

Thermal Camera	
Detector Type	Uncooled VOx Micro bolometer 256x192
Resolution	256(H)x192(V), Image can be scaled up to 704x576
Pixel Pitch	12µm
Spectral Range	8~14um
Thermal Sensitivity (NETD)	≤ 60mK
Focus Control	Manual Focus
F No.	F1.1
Focal Length	2.0 mm
Angle of View	H: 90°, V:65°
Visible Camera	
Image Sensor	1/2.8" Sony CMOS
Resolution	1600 (H)x1200(V)
Shutter Speed	1/5 ~ 1/20,000s
Wide Dynamic Range	True WDR 120dB
Min. Illumination	Color: 0.1Lux @(F1.2, AGC ON), B/W: 0.01Lux
S/N Ratio	More than 55dB
Max Aperture	F2.0
Angle of View	H: 100°, V: 75°
Illuminator	
LEDs	1pcs White light
Illuminator Range	0.3m distance: 0.8m×0.8m, 1m distance: 1.8m×1.2m
Video and Audio	
Main Stream	Visible: 1600x1200, 1280x720 @25/30fps, Thermal: D1 @25/30fps
Sub Stream	Visible: D1, VGA, 640x360, CIF, QCIF, QVGA @25/30fps, Thermal: CIF @25/30fps
Bit Rate Control	CBR/VBR
Bit Rate	Main stream: Visible: 100Kbps~8Mbps, Thermal: 100Kbps~6Mbps, Sub stream: Visible: 100Kbps~6Mbps, Thermal: 10Kbps~1.5Mbps,
Region of Interest	Off / On (8 Zone, Rectangle)
Smart Encode	Support
Audio Compression	G.711: 8kbps, RAW_PCM: 16kbps
Image	
Image Setting	Brightness, Sharpness, Contrast, Saturation
Mirror	Support
Pseudo-color Setting	White-hot/Black-hot/Rainbow/Ironbow etc. up to 17 modes (Thermal)
DVE Image Enhance	Support (Thermal)
Noise Reduction	2D/3D DNR
Privacy Masking	Support
Motion Detection	Support

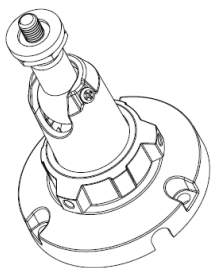
Temperature Detection	
Temperature Detection	Support 3 temperature measurement rule types (Spot, Line, Area)
Temperature Alarm	Over temperature alarm, Temperature difference alarm
Accuracy	±2°C / ±2%
Response Time	≤ 30ms
Temperature Range	-20°C ~ 150°C (-4°F ~ 302°F)
Temperature Display	Display in the lower left corner; follow the cursor display of the highest temperature, lowest temperature or average temperature
Temperature Measurement Distance (0.1x0.1m)	3m
Network	
Protocols	IPv4/IPv6 ,HTTP,RTSP/RTP/RTCP, TCP/UDP, DHCP, DNS, PPPOE, SMTP, 802.1x
Interoperability	ONVIF, CGI, SDK
Max. User Access	10 Users
Web Viewer	<IE11, Chrome, Firefox, Microsoft Edge
Web Language	English, Chinese, Polish, Italian, Portuguese, Spanish, Russian, French, Czech, Hungarian
Interface	
Network Interface	1 Ethernet (10/100 Base-T) RJ-45 Connector
Alarm Interface	1ch input, 1ch output
RS232	Support
RS485	Support
SD Card Slot	Support, up to 256GB
Reset Button	Support (Built-in)
Indicator Light	Power indicator, Network indicator
General	
Power Supply	10-30VDC/PoE (IEEE 802.3af)
Power Consumption	Max 5.4W
Working Temperature	-30°C~60°C(-22°F~140°F)
Storage Conditions	0~ 90% RH
Certifications	CE/FCC
Ingress Protection	IP67
Casing	Metal
Dimensions	55x 46 x 118mm (2.17 x 1.81 x 4.65 inch)
Net Weight	0.52 kg (1.15 lb)

Dimensions (mm)



Accessories

Optional:



Standard