



# SN-F22-F

Temperature Measurement Bi-spectrum  
Network Bullet Camera



## Key Features

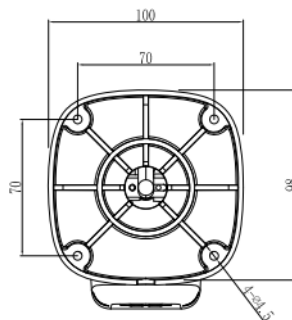
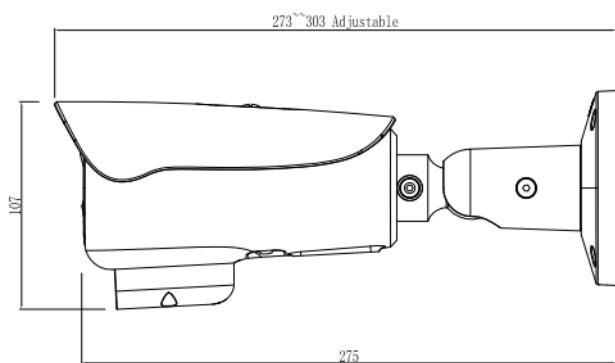
- Uncooled VOx Micro bolometer with 256×192 resolution
- One IP address two channels
- NETD  $\leq 50\text{mK}$
- Thermal: 3.2 mm fixed lens, Visible: 4 mm fixed lens
- Accuracy  $\pm 0.3^{\circ}\text{C}$  with blackbody
- Support temperature display and audio alarm
- Response Time  $\leq 30\text{ms}$
- Support 1/1 audio input/output and 2/2 alarm input/output

# Specification

Thermal Camera	
Detector Type	Uncooled IRFPA Microbolometer
Effective Pixels	256(H) x192(V)
Pixel Pitch	12um
Thermal Sensitivity (NETD)	≤50mK
Spectral Range	8~14um
Image Setting	Brightness, Sharpness, Contrast, Mirror, FFC control, 2D/3D DNR
Pseudo-color Setting	White-hot/Black-hot/Rainbow/Ironbow etc. up to 17 modes
Thermal Lens	
Lens Type	Fixed
Focus Control	Free focus
Focal Length	3.2 mm
F No.	F1.0
Angle of View	H: 56°, V: 42°
Visible Camera	
Image Sensor	1/2.8" Sony CMOS
Effective Resolution	1920(H)x1080(V)
Shutter Speed	1/5 ~ 1/20,000s
Wide Dynamic Range	True WDR 120dB
Min. Illumination	Color: 0.1Lux @(F1.2, AGC ON) B/W: 0.01Lux @(F1.2, AGC ON)
S/N Ratio	More than 55dB
Focal Length	4 mm
Angle of View	H: 84°, V: 45°
Image Setting	Brightness, Sharpness, Contrast, Saturation, Mirror, AWB, 2D/3D DNR
Defog	Support
Video and Audio	
Frame Rate	Main Stream: Visible: 1920x1080/1280x720 @25/30fps Thermal: D1 @25/30fps Sub Stream: Visible: D1/VGA/640x360/CIF/QVGA @25/30fps Thermal: CIF/256x192 @25/30fps
Bit Rate Control	CBR/VBR
Bit Rate	Main Stream: Thermal: 100Kbps~6Mbps Visible: 100Kbps~12Mbps Sub Stream: Thermal: 10Kbps~1.5Mbps Visible: 10Kbps~6Mbps
Region of Interest	Off / On (8 Zone, Rectangle)
Motion Detection	Support
Privacy Masking	Off / On (5 Area, Rectangle)
Audio Compression	G.711: 8kbps, RAW_PCM: 16kbps
Smart Function	
Intelligent Analysis	Interface, Single line crossing, Double line crossing, Object left, Object removed
Face Detection	Support face detection and capture

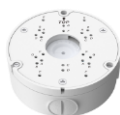
Temperature Detection	
Detection Mode	Temperature measurement
Temperature Alarm	Over temperature alarm, support speaker alarm
Accuracy	±0.5 °C without blackbody (±0.3 °C with blackbody) Environment temperature: 5°C ~ 35 °C (41°F ~ 95°F) Working Environment: Avoid the interference of wind, sunshine, high temperature and reflective objects, indoor is recommended
Response Time	≤30ms
Temperature Range	30 °C ~ 45 °C (86°F ~ 113°F)
Detection Distance	2 ~ 3m (6.56 ~ 9.84 ft)
Network	
Protocols:	IPv4/IPv6 ,HTTP,RTSP/RTP/RTCP, TCP/UDP, DHCP, DNS, PPPOE, SMTP, SIP ,802.1x
Interoperability	ONVIF, CGI, SDK
Max. User Access	10 Users
Web Viewer	<IE11, Chrome, Firefox
Web Language	English, Chinese, Polish, Italian, Portuguese, Spanish, Russian, French, Czech, Hungarian
Interface	
Network Interface	1 Ethernet (10/100 Base-T) RJ-45 Connector
Audio Interface	1ch Audio In,1ch Audio Out, Built-in Speaker
Built-in Speaker	Support
Alarm Interface	2ch Alarm In,2ch Alarm Out
RS485	Support
BNC Output	Support
Reset Button	Support
SD Card Slot	Built-in, up to 256 GB
General	
Power Supply	DC12V/POE (IEEE 802.3af)
Power Consumption	Max 10W
Operating Temperature	5°C ~ 35 °C (41°F ~ 95°F)
Storage Conditions	0 ~ 90% RH
Certifications	CE /FCC
Ingress Protection	IP66
Casing	Metal
Dimensions	303x100x107 mm (11.93 x 3.94x 4.21 inch)
Net Weight	1 Kg (2.2 lb)

## Dimensions (mm)



## Accessories

### Optional:



SN-CBK649A  
Junction Box



SN-CBK627D  
Pole Mount