



SN-TPC6406KT-F

Thermal Imaging Bullet Network Camera



Key Features

- VOx uncooled focal plane detector with 640×512 resolution
- NETD ≤ 40mK
- 9/15/25/35/50mm fixed thermal lens
- Support human/vehicle detection
- Support fire point and smoking detection
- Smart events: intrusion, single line crossing, double line crossing, loitering, wrong-way, people counting, enter area, leave area
- Support 3 temperature measurement rule types (spot, line, area)
- Temperature measurement range: -20°C to 150°C (-4°F to 302°F)
- Support 12VDC/24VAC/PoE power supply
- IP66

Specification

Thermal Module	
Image Sensor	Vanadium Oxide Uncooled Focal Plane Arrays
Resolution	Sensor is 640×512. Image can be scaled up to 1280×1024
Pixel Pitch	12μm
NETD	≤ 40mK
Spectral Range	8 to 14μm
Image Setting	Brightness, Sharpness, Contrast, Mirror, FFC control, 2D/3D DNR, Defog
Pseudo-color Setting	White-hot/Black-hot/Rainbow/Ironbow etc. up to 17 modes

Thermal Lens					
Focus Control	Fixed lens, Free focus				
Focal Length	9mm	15mm	25mm	35mm	50mm
Aperture	F1.0	F1.0	F1.0	F1.0	F1.0
Angle of View	H: 48°, V:38°	H:29°, V:23°	H:17°, V:14°	H: 12°, V:10°	H: 8°, V:7°
Detection Distance (Humans: 1.8×0.5m)	375 m (1230.3 ft)	624 m (2,047.2 ft)	1,040 m (3,412.1 ft)	1,456 m (4,776.9 ft)	2,081 m (6,827.4 ft)
Detection Distance (Vehicles: 4×1.5m)	1,150 m (3,773 ft)	1,917 m (6,289.3 ft)	3,194 m (10,479 ft)	4,472 m (14,672 ft)	6,389 m (20,961 ft)
Recognition Distance (Humans: 1.8×0.5m)	94 m (308.4 ft)	156 m (511.8 ft)	260 m (853 ft)	364 m (1,194.2 ft)	520 m (1,706 ft)
Recognition Distance (Vehicles: 4×1.5m)	288 m (944.9 ft)	479 m (1,571.5 ft)	799 m (2,621.4 ft)	1,118 m (3,668 ft)	1,597 m (5,239.5 ft)
Identification Distance (Humans: 1.8×0.5m)	47 m (154.2 ft)	78 m (255.9 ft)	130 m (426.5 ft)	182 m (597.1 ft)	260 m (853 ft)
Identification Range (Vehicles: 4×1.5m)	144 m (472.4 ft)	240 m (787.4 ft)	399 m (1,309 ft)	559 m (1,834 ft)	799 m (2,621.4 ft)

* The table is only for reference and the performance may vary according to different environment.

* The optimal detection, recognition, and identification distances are calculated according to Johnson's Criteria.

Detection Range: In order to distinguish an object from the background, the object must be covered by 1.5 or more pixels.

Recognition Range: In order to classify the object (animal, human, vehicle, etc.), the object must be covered by 6 or more pixels.

Identification Range: In order to identify the object and describe it in details, the object must be covered by 12 or more pixels.

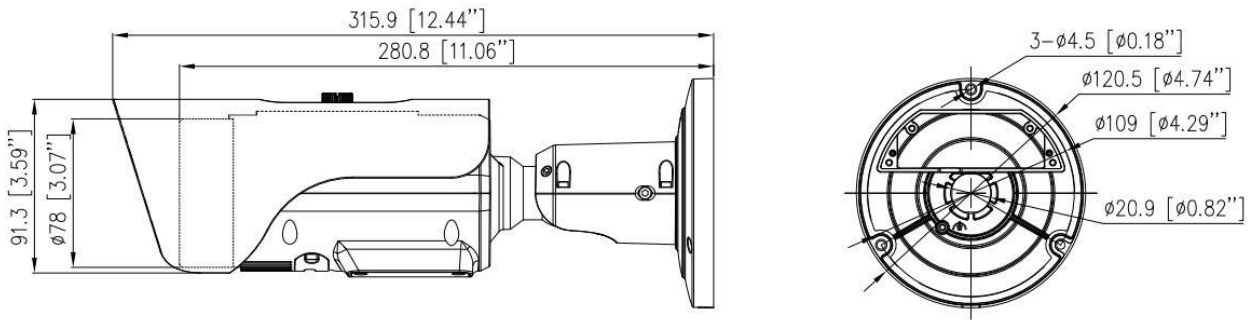
Detection Range Table					
VCA Detection Distance (Human: 1.8×0.5m)	47 m (154.2 ft)	84 m (275.6 ft)	145 m (475.7 ft)	188 m (616.8 ft)	280 m (918.6 ft)
VCA Detection Distance (Vehicle: 4×1.5m)	110 m (360.9 ft)	190 m (623.4 ft)	280 m (918.6 ft)	380 m (1,246.7 ft)	450 m (1,476.4 ft)
Temperature Measurement (Object: 1 × 1m)	150 m (492.1 ft)	250 m (820.2 ft)	417 m (1,368.1 ft)	583 m (1,912.7 ft)	833 m (2,732.9 ft)
Temperature Measurement (Object: 0.2 × 0.2m)	30 m (94.4 ft)	50 m (164 ft)	83 m (272.3 ft)	117 m (383.9 ft)	167 m (547.9 ft)
Fire Detection (Object: 1 × 1m)	375 m (1,230.3 ft)	625 m (2,050.5 ft)	1,042 m (3,418.6 ft)	1,458 m (4,783.5 ft)	2,083 m (6,834 ft)

Fire Detection (Object: 0.2 × 0.2m)	75 m (246.1 ft)	125 m (410.1 ft)	208 m (682.4 ft)	292 m (958 ft)	417 m (1,368.1 ft)
Note: The table is for reference only. The distances within it are subject to actual conditions including atmospheric conditions, target size, the installation site, and more.					
Video and Audio					
Main Stream	1280×1024, 1280×720, 640×512 @25fps				
Sub Stream	D1, CIF @25fps				
Bit Rate Control	CBR/VBR				
Bit Rate	Main stream: 100Kbps to 8Mbps, Sub stream: 100Kbps to 6Mbps				
Region of Interest	Off/On (8 Zone, Rectangle)				
Audio Compression	G711: 64kbps, RAW_PCM: 128kbps				
Smart Function					
Smart Alarm	Motion detection, Disk alarm, I/O alarm, IVS alarm, Temperature detection alarm				
Smart Detection	Support human/vehicle detection, fire point detection, smoking detection				
Intelligent Analysis	Intrusion, Single line crossing, Double line crossing, Loitering, Wrong-way, Enter area, Leave area (these functions support accurate detection of human/vehicles), People counting				
Temperature Detection					
Temperature Detection	3 temperature measurement rule types, 20 rules in total, 1 full screen, 19 others (spot, areas, line).				
Temperature Alarm	Over temperature alarm, Temperature difference alarm				
Accuracy	±2°C / ±2%				
Response Time	≤ 30ms				
Temperature Range	-20°C to 150°C (-4°F to 302°F)				
Network					
Protocols	IPv4/IPv6 ,HTTP,RTSP/RTP/RTCP, TCP/UDP, DHCP, DNS, PPPOE, SMTP, 802.1x				
Interoperability	ONVIF, SDK				
Max. User Access	10 Users				
Web Viewer	<IE11, Chrome, Firefox, Microsoft Edge				
Web Language	English, Chinese, Polish, Italian, Portuguese, Spanish, Russian, French, Czech, Hungarian				
Interface					
Network Interface	1 Ethernet (10/100 Base-T) RJ-45 Connector				
Audio Interface	1ch Audio In, 1ch Audio Out				
Alarm Interface	2ch Alarm In, 2ch Alarm Out				
Control Interface	1ch RS-485				

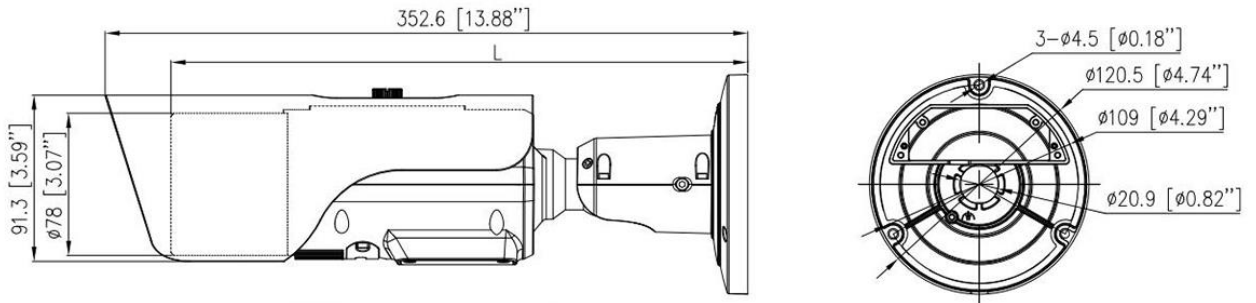
CVBS Interface	BNC, 75 ohm
Reset Button	Support
SD Card Slot	Built-in, up to 256GB
General	
Power Supply	12VDC/24VAC/PoE
Power Consumption	Max 5W
Working Temperature	-40°C to 60°C (-40°F to 140°F)
Storage Conditions	0 to 90% RH
Certifications	CE /FCC
Ingress Protection	IP66
Casing	Metal
Dimensions	φ120.5 × 315.9 to 352.6 mm (φ4.74 × 12.44 to 13.88 inch)
Net Weight	1.85 kg (4.08 lb) with 9mm lens
Ordering Information	
Model	Description
SN-TPC6406KT-F09	Focal Length: 9mm
SN-TPC6406KT-F15	Focal Length: 15mm
SN-TPC6406KT-F25	Focal Length: 25mm
SN-TPC6406KT-F35	Focal Length: 35mm
SN-TPC6406KT-F50	Focal Length: 50mm

Dimensions (mm)

F9/F15 mm Lens



F25/F35/F50 mm Lens



Dimensions (mm)

Optional:



SN-CBK645G
Junction Box



SN-CBK101A
Pole Mount



SN-CBK102A
Corner Mount